



*

*

*



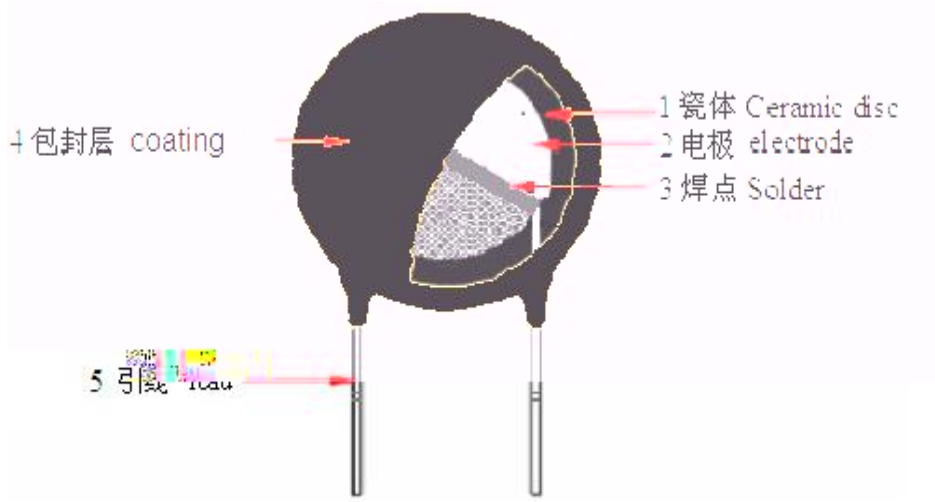
UL 认证 (证书编号: E214084)

UL recognized (File# E214084)

*

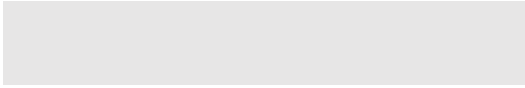
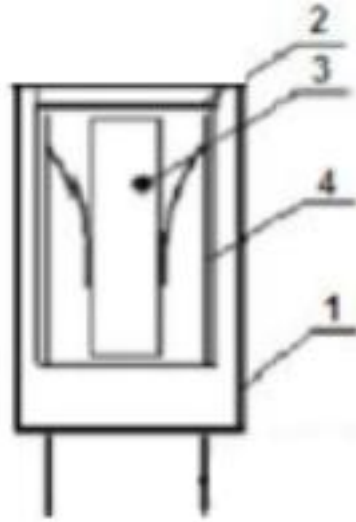
2							
3							...
4							
5							
		±	±	±	±	±	
6							

*



NECLiDV

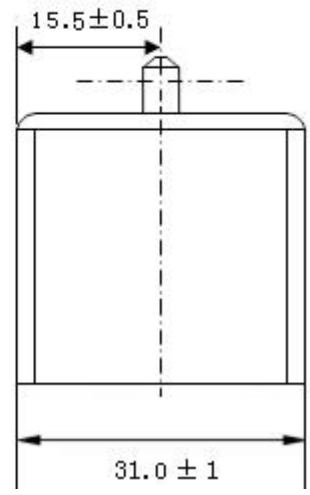
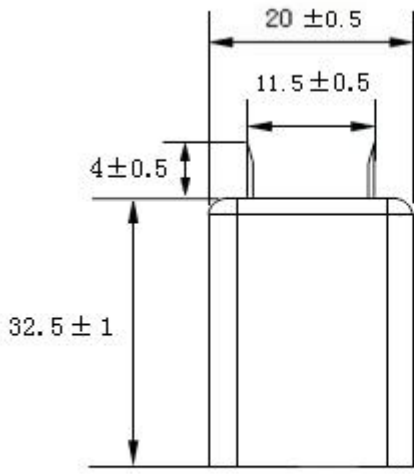
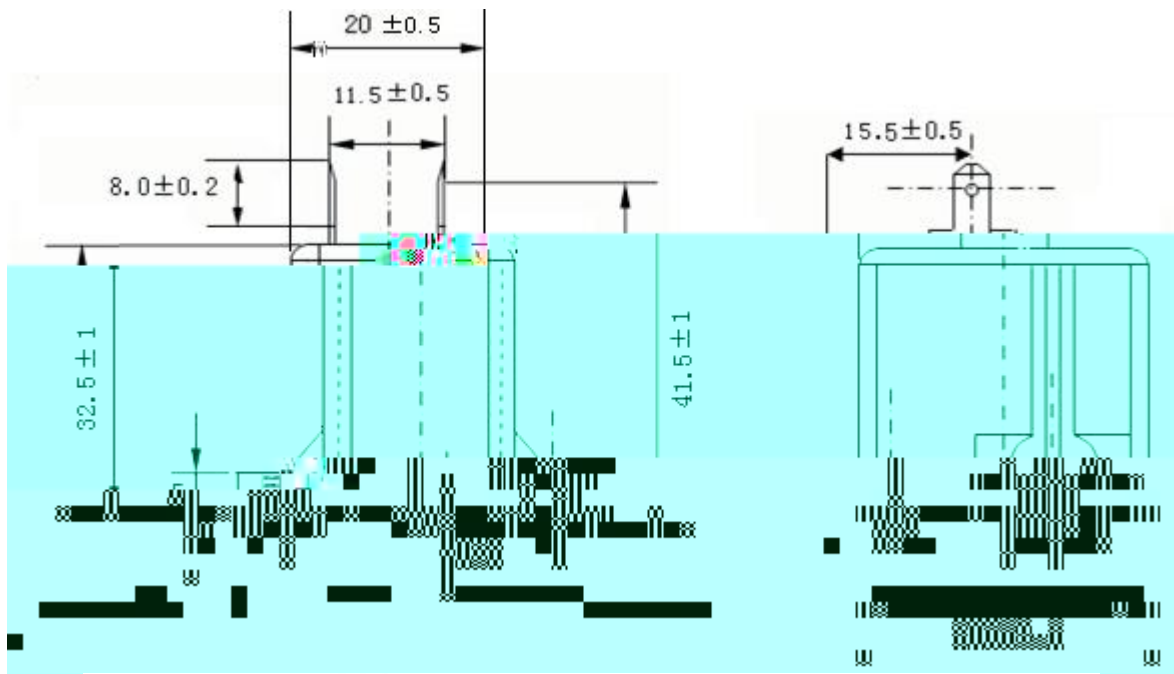
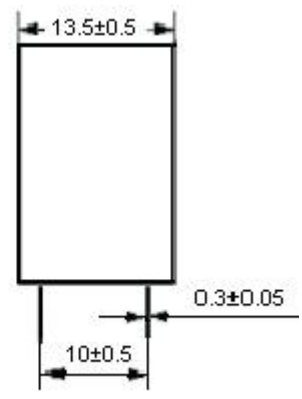
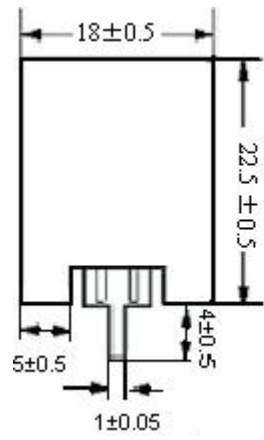
*



0

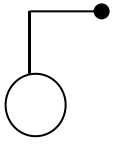
S - T
pp

*



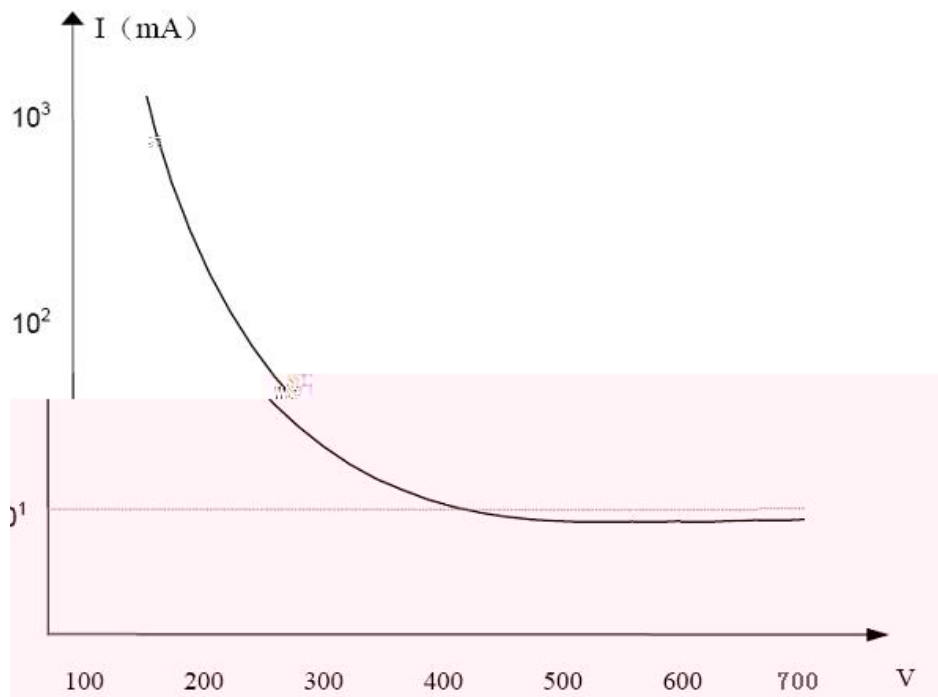
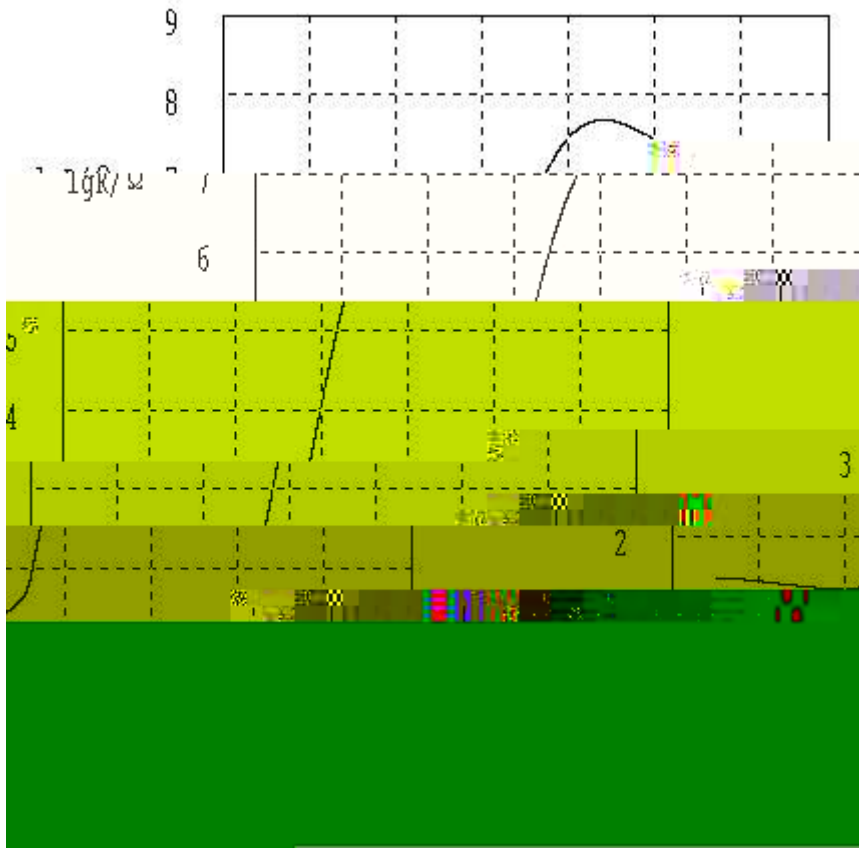
R25	Non-Oper			*
Rated	ating	Max Voi tage	Max	
Resi stanc	Current	(V)		
e ()	(mA)		(A)	

	±	
	PTC ± ± 1/20	
	±	

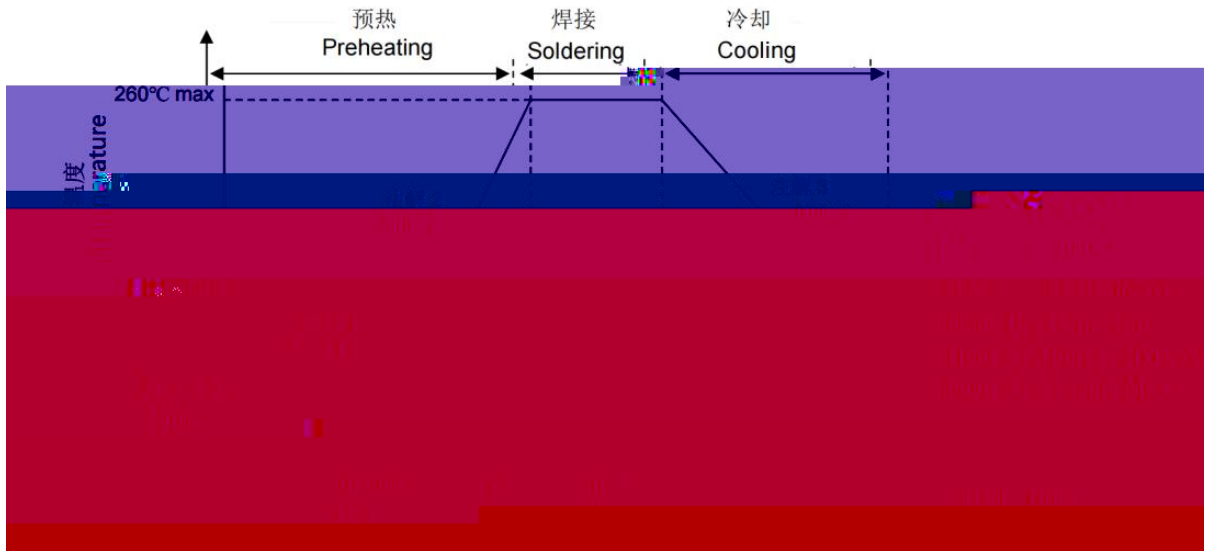
	<table border="1"><tr><td></td><td></td><td></td></tr><tr><td></td><td></td><td></td></tr><tr><td></td><td></td><td></td></tr><tr><td></td><td></td><td></td></tr><tr><td></td><td></td><td></td></tr></table>																

R-T Characteristic Curves



*

*



*

*

